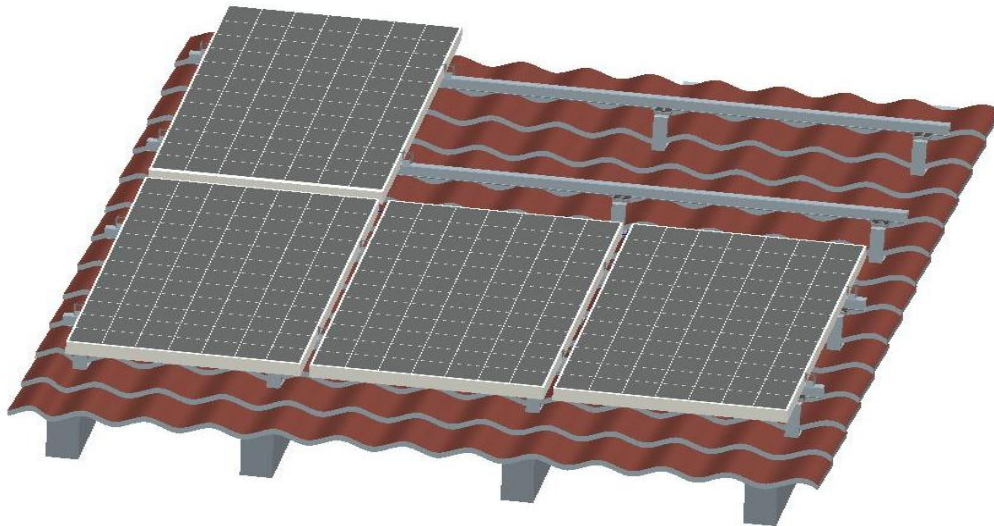




LI Tiled Roof System Installation Manual



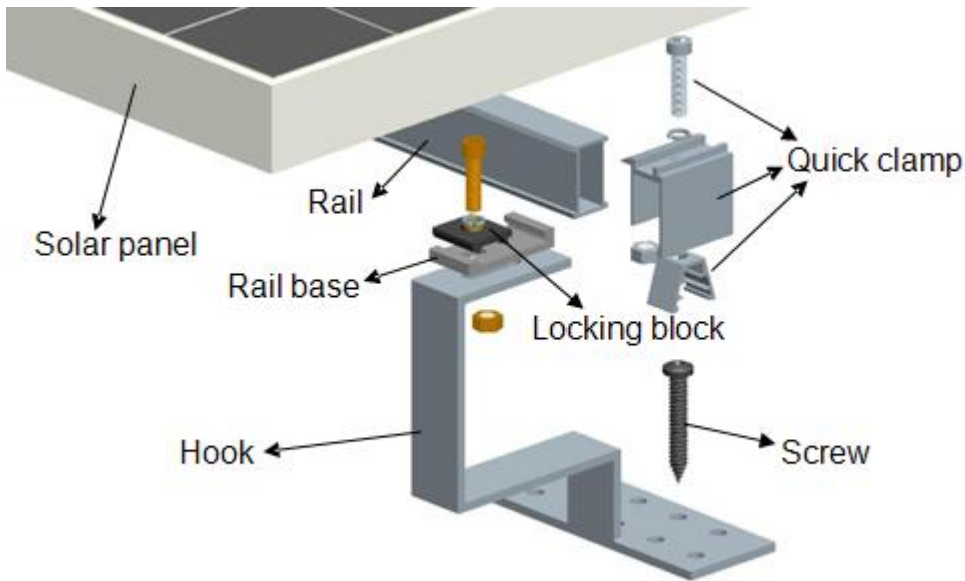
As the updated version of the SI Tiled Roof System, the LI Tiled Roof System provides a much more economized solution for our customers. The use of square rails saves cost and the unique design of the rail base and locking block simplifies installation of the whole system.

Our customizable mounting system is manufactured independently and applies to all module types. The durable materials we select guarantee that the system is of a high quality and the user friendly instruction book ensures rapid installation. With the tiled roof mounting system, a reliable mounting solution can be easily achieved for almost any type of tiled roof.

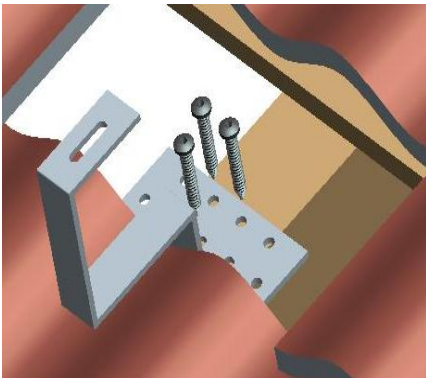
Benefits

- * Multiple choices for flush tiled roofs — Racworth offers various hooks for different tiled roofs.
- * Quick-Clamps can be attached at any location on the rails to fasten the solar panels.
- * An easy installation method for the rail base and locking block not only saves time, but also fastens rails more securely.
- * Great performance and aesthetics.

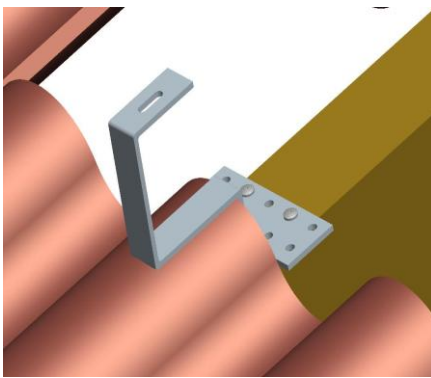
Components



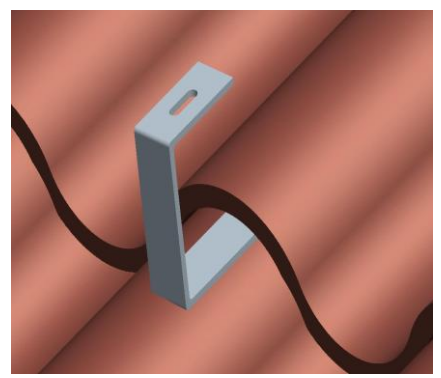
Installing LI Tiled



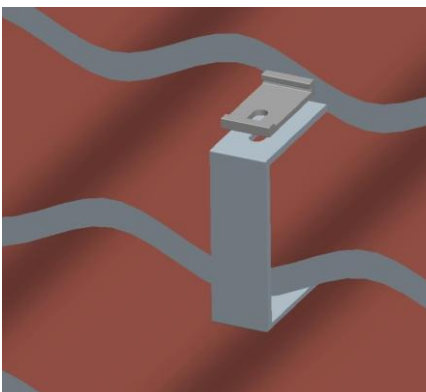
1. Remove the covering tile and set it aside, then place the hook on the rafter.



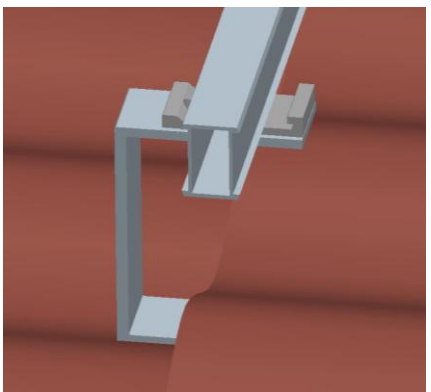
2. Tighten the screws to attach the hook to the rafter. Three screws are adequate.



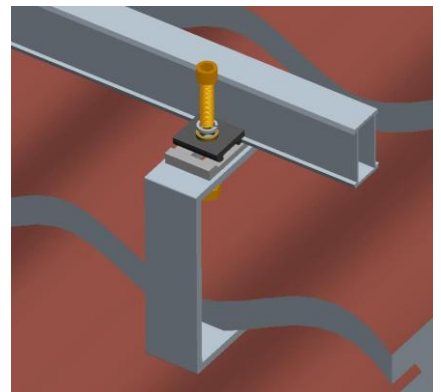
3. Replace the covering tile.



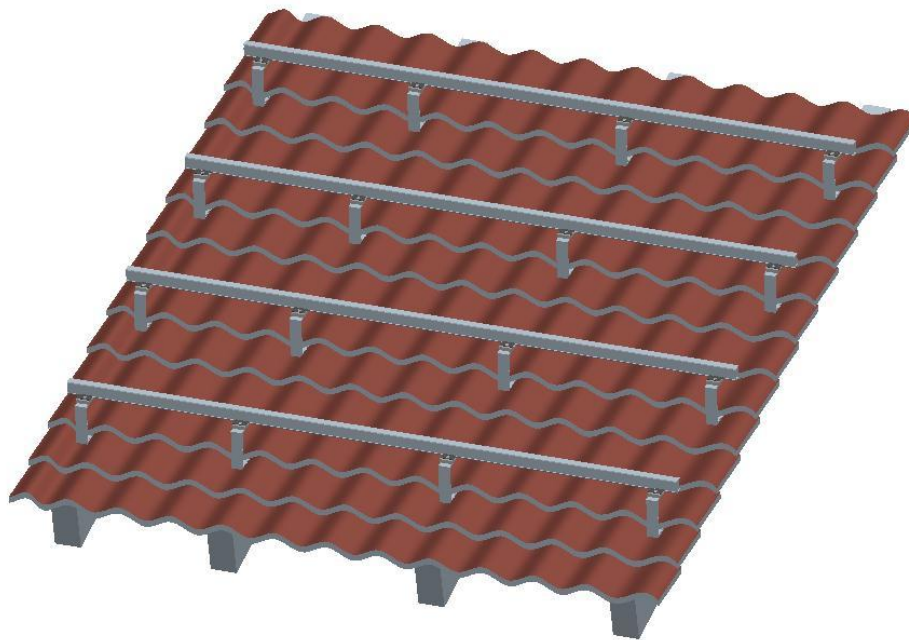
4. Put the rail base on the upper side of hook.



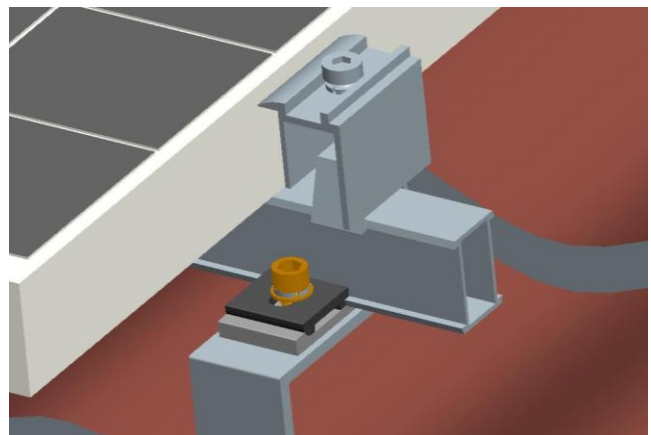
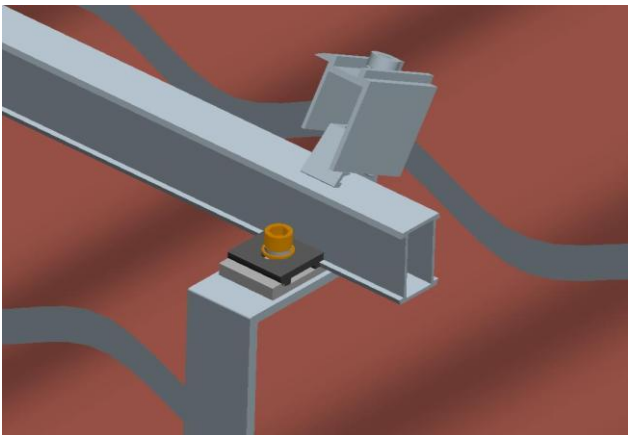
5. Attach the rail and locking block on the rail base.



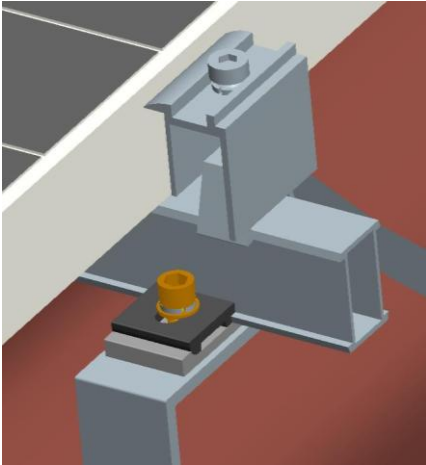
6. Fix the rail by tightening the bolt.



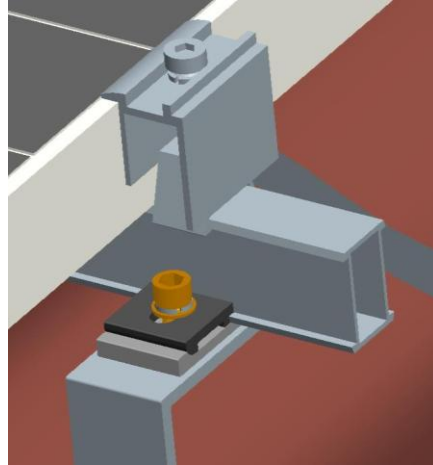
7. Install the rest of the rails following the same steps listed above.



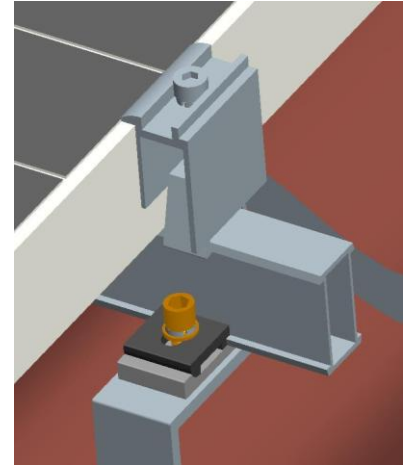
8. Attach the end of the Quick-Clamp onto the rail and lock it onto the rail as shown in the pictures. The end/middle of the Quick-Clamp can be used at any location to fasten the solar panels.



9.1



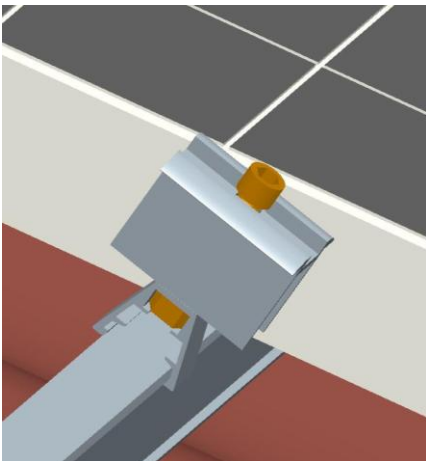
9.2



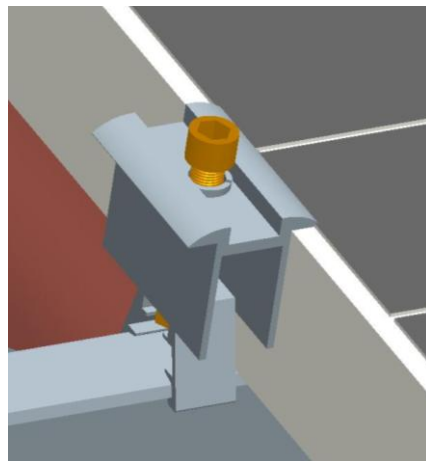
9.3

9. Put a solar panel onto the rail (as shown in 9.1) and move the end of the Quick-Clamp to the side of the solar panel (as shown in 9.2). Fasten the end of the Quick-Clamp by tightening the bolt (as shown in 9.3).

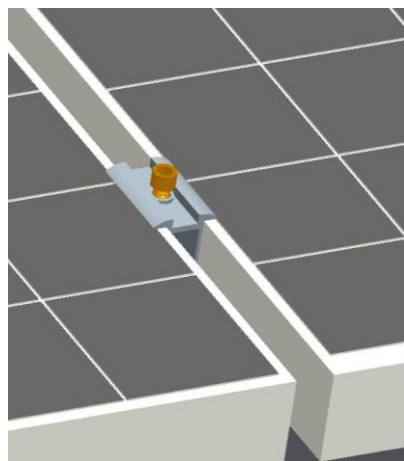
(A locking washer is necessary to prevent the bolt from loosening).



10.1

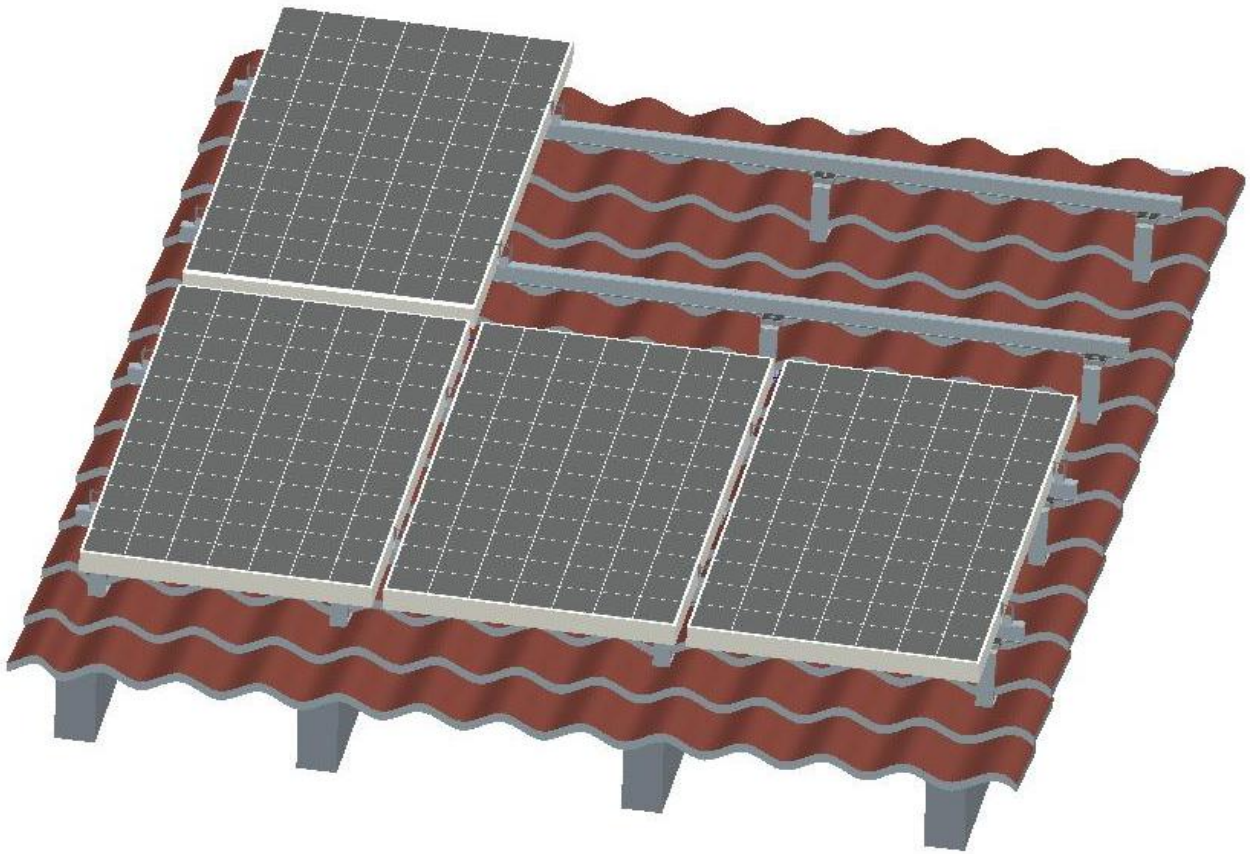


10.2

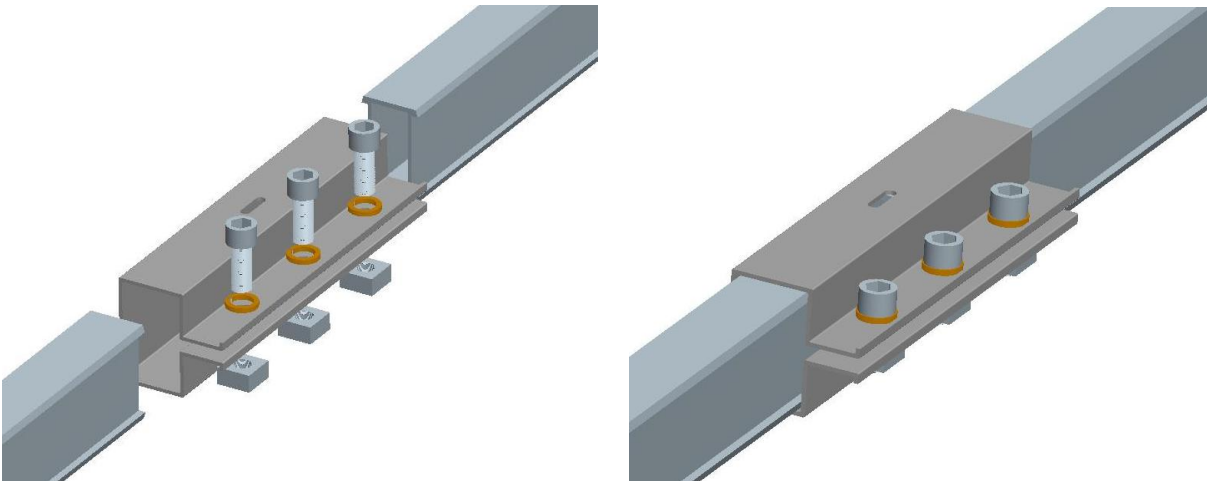


10.3

10. Lock the middle of the Quick-Clamp on the rail (as shown in 10.1) and move it to one side of a solar panel (as shown in 10.2). Put another solar panel onto the rail and move it to the middle of the Quick-Clamp and fasten the bolt to fix the two solar panels together (as shown in 10.3).



11. Install the other solar panels following the same steps as listed above.



12. An outer splice could be used to expand this system. Slide rails into the two sides of an outer splice and secure them in place with bolts and square nuts. A space of 10mm should remain between each rail.