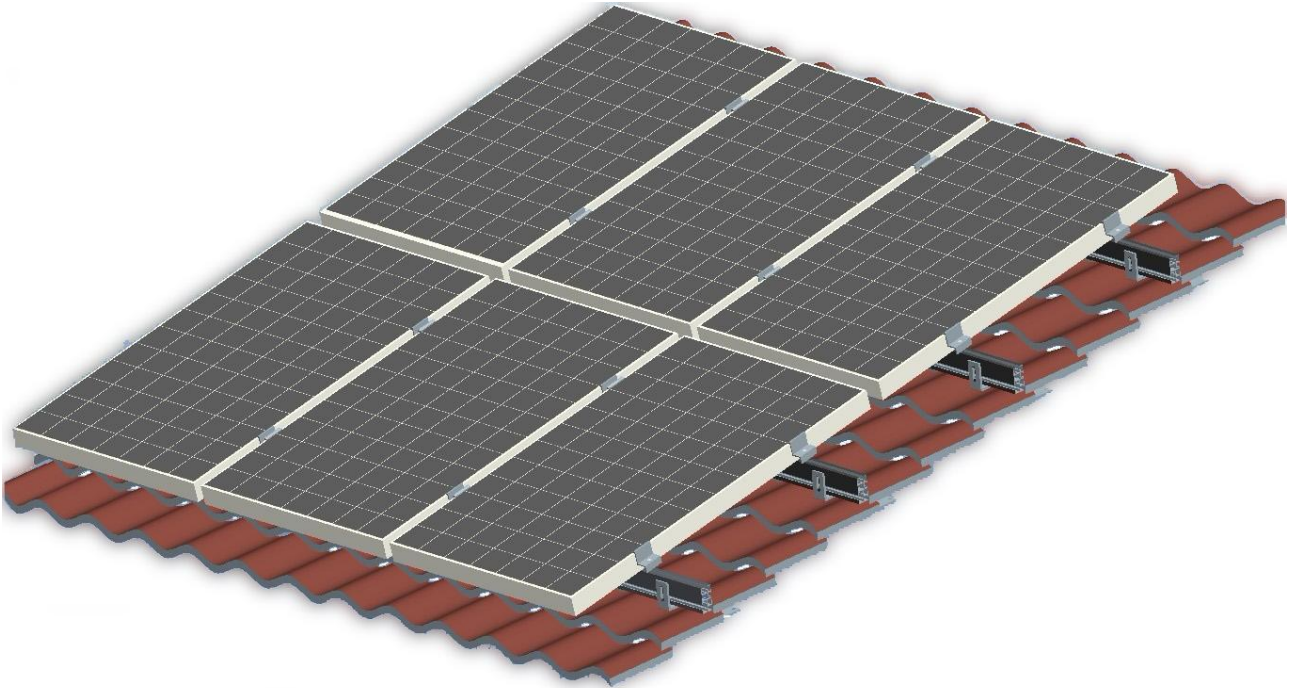




SI Tiled Roof System Installation Manual



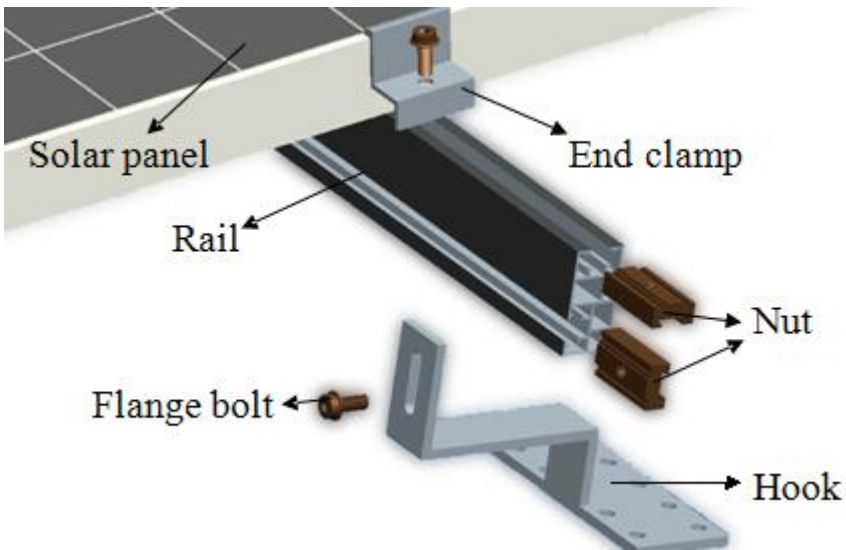
Racworth offers various kinds of roof hooks in SI Tiled Mount System to cover a wide range of tiled roofs, including: flat tile, Roman tile, and Spanish tile. The mounting process is the same for all tiled roofs; the only difference is the type of hook used.

Our customizable mounting system is independently manufactured and applies to all module types. The durable materials we select guarantee that the system is of a high quality and the user-friendly instruction book guarantees rapid installation. With tiled roof systems, a reliable mounting solution can be easily achieved for almost any type of tiled roof.

Benefits

- * Multiple choices for flush tiled roofs — Racworth offers various hooks for different tiled roofs.
- * Universal rail design to fit all panel sizes.
- * Easy installation, understandable installation methods and minimal materials to save time.
- * Great performance and aesthetics.

Components



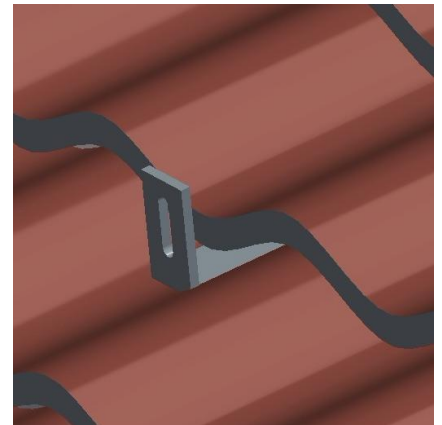
Installing SI Tiled



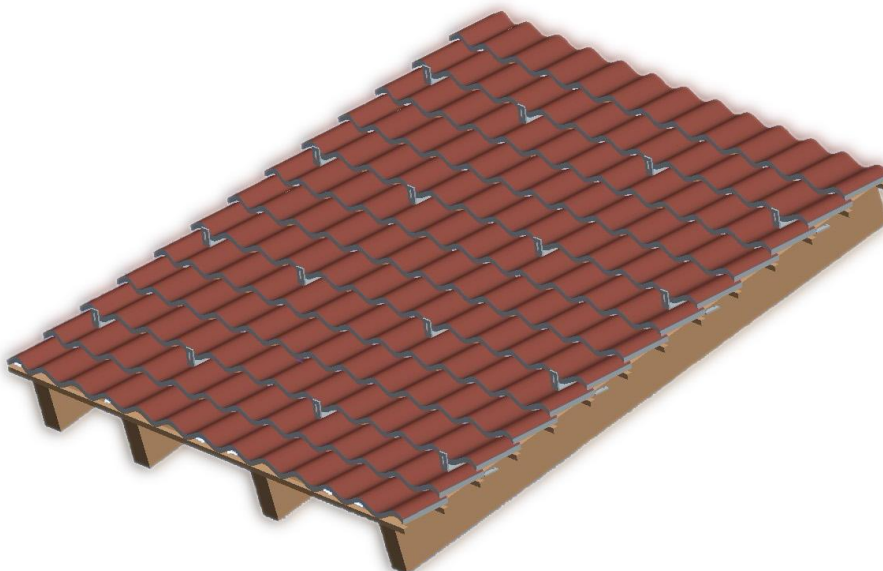
1. Remove the covering tile and set it aside, then place the hook on the rafter.



2. Tighten screws to attach the hook to the rafter. Three screws are adequate.

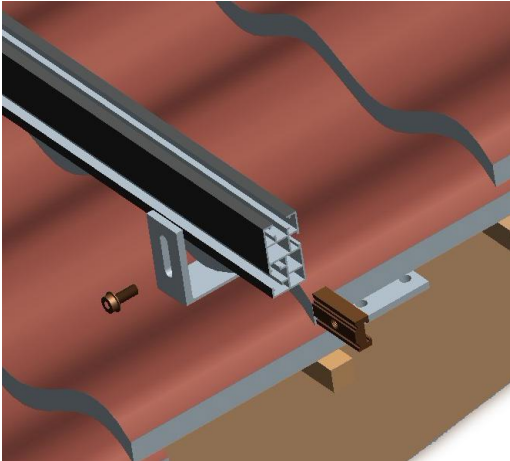


3. Replace the covering tile.



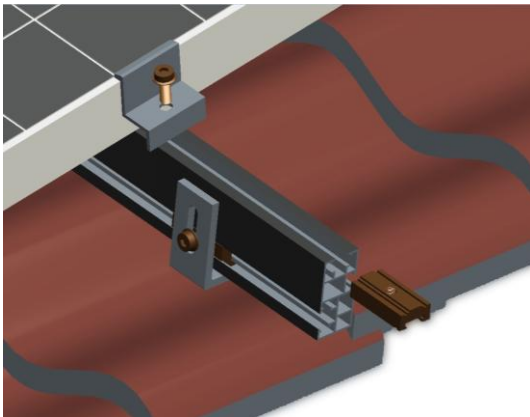
4. Attach the rests of the hooks

following the same steps listed above.

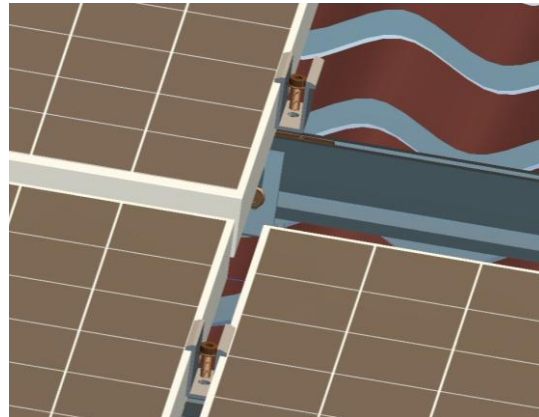


5. Insert a nut into the groove of the rail and tighten the hex bolt to attach the rail.

6. Attach all the rest of the rails following the same steps listed above.

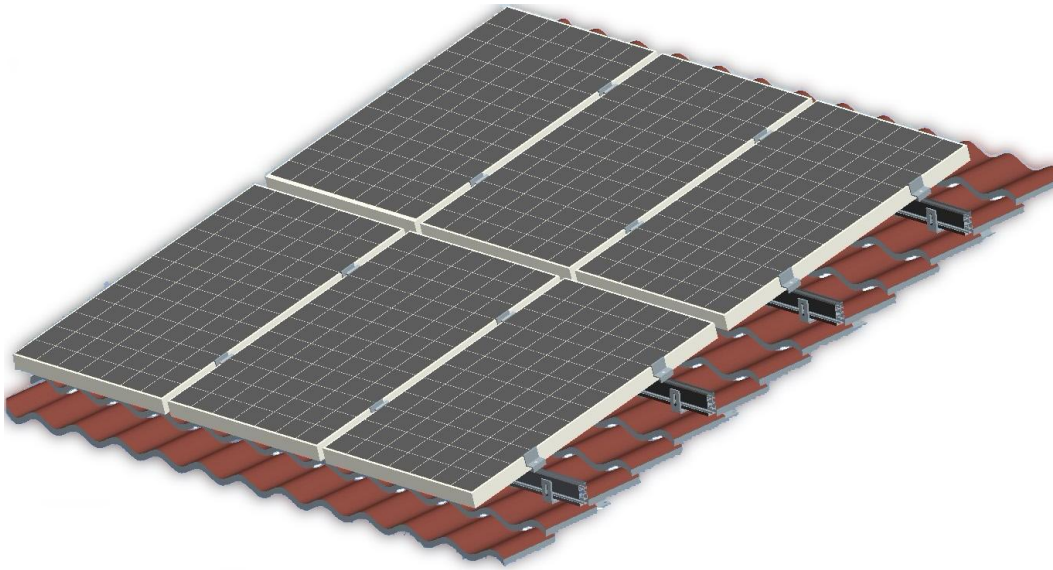


7.1



7.2

7. Put solar panels on the rail and attach it to the rail with the end clamp (7.1) or mid clamp(7.2). Insert a nut into the rail and tighten the bolt to fix the solar panel.



8. Install the other solar panels following the same steps listed above.